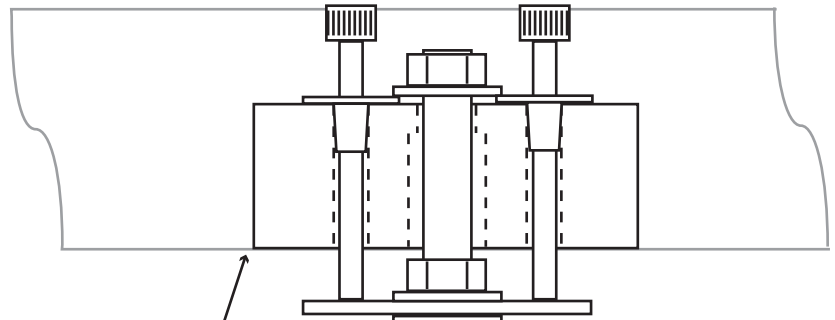


Scale 1:1

Secondary mirror / spider

t-nuts or threaded inserts?

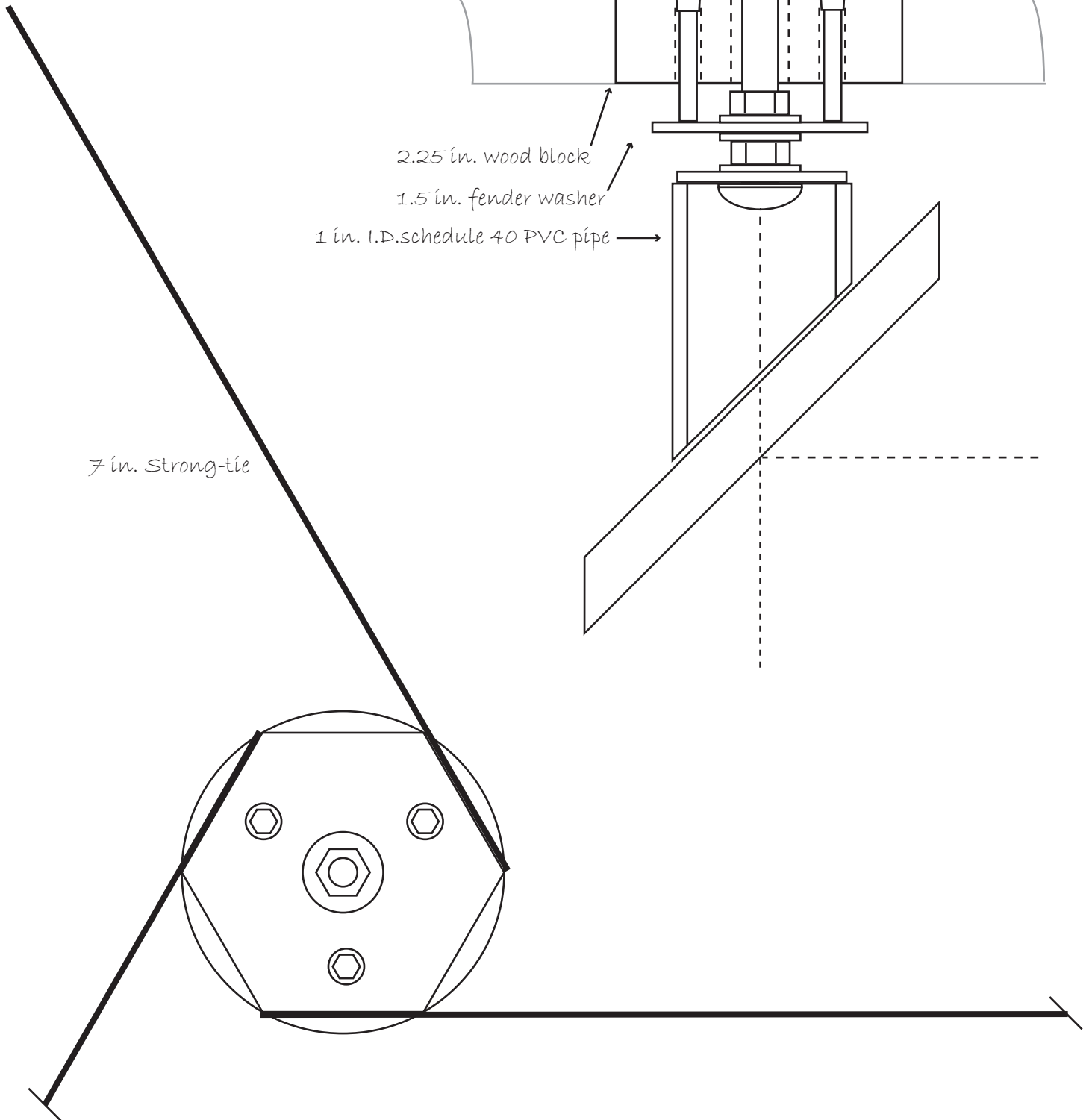
1.25 in. set screws - 1/8 or 3/16 dia.?



2.25 in. wood block

1.5 in. fender washer

1 in. I.D. schedule 40 PVC pipe



7 in. Strong-tie